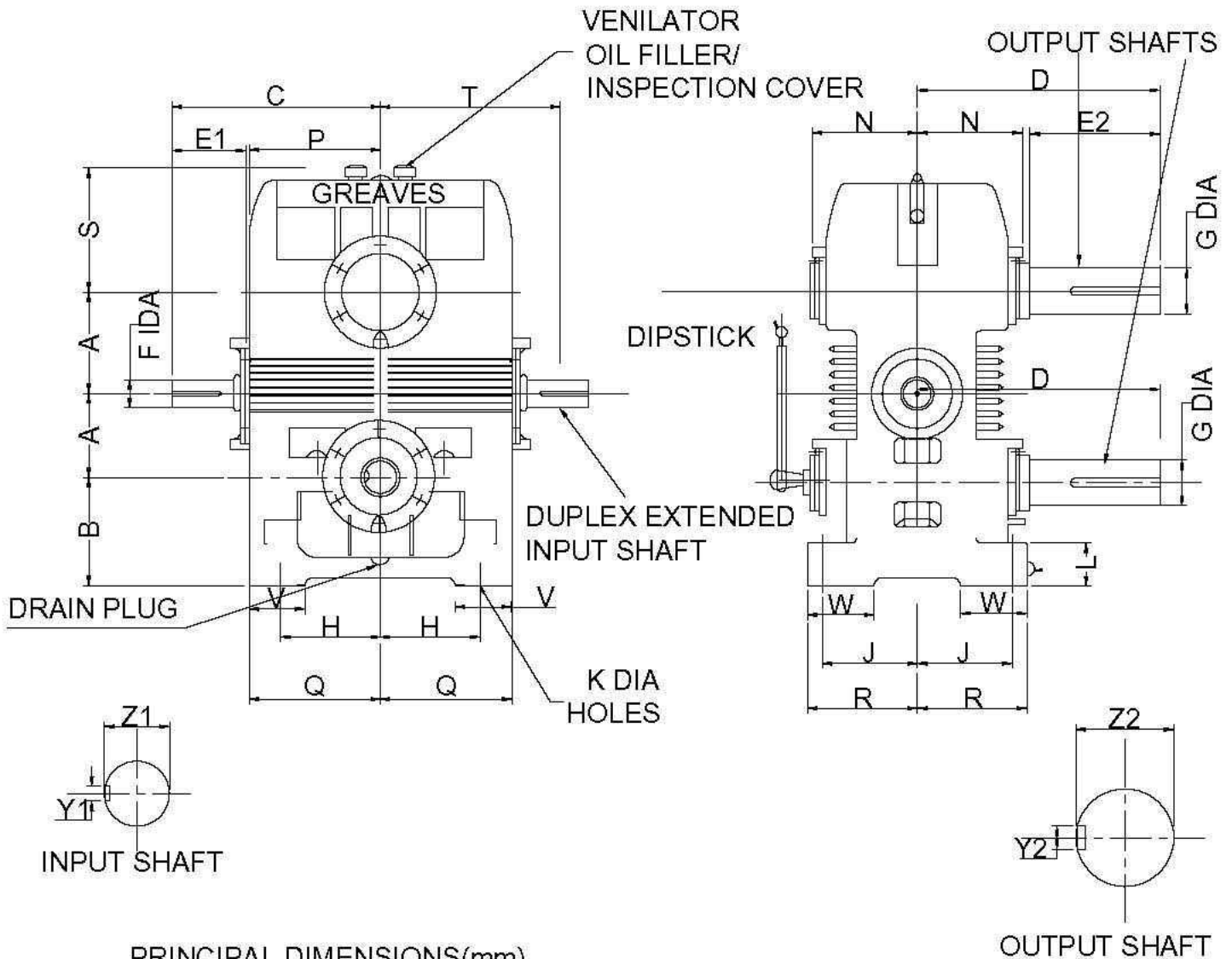


GREAVES DUPLEX WORM GEARBOX



PRINCIPAL DIMENSIONS(mm)

SIZE OF UNIT	A	B	C	D	E1	E2	F	G	H	J	K	L	N	P	Q
DX 400	101.6	120.7	229	216	67	89	31.750 31.735	44.450 44.435	106.0	101.6	20.6	44	121	159	140
DX 500	127	114.3	260	248	73	102	38.100 38.085	50.800 50.782	123.8	111.1	20.6	54	133	184	164
DX 600	152.4	171.5	279	273	76	114	38.100 38.085	57.150 57.135	133.4	120.7	23.8	64	140	200	179
DX 700	177.8	196.9	318	298	86	127	44.450 44.435	63.500 63.482	152.4	133.4	23.8	70	151	229	208
DX 800	203.2	222.3	343	311	89	140	44.450 44.435	69.850 69.832	171.5	133.4	27.0	78	159	251	230

SIZE OF UNIT	R	S	V	W	Y1	Y2	Z1	Z2
DX 400	127	137	64	76	7.976 7.925	11.176 11.125	34.47 34.24	47.73 47.50
DX 500	137	159	70	83	9.576 9.525	12.751 12.700	40.72 40.49	53.98 53.75
DX 600	149	184	76	89	9.576 9.525	15.926 15.875	40.72 40.49	81.75 81.52
DX 700	162	210	89	98	11.178 11.125	15.926 15.875	47.73 47.50	88.10 87.87
DX 800	171	235	102	102	11.178 11.125	19.101 19.050	47.73 47.50	75.03 74.80

NOTE: - A) DIMENSIONS E2 & D CAN BE SUPPLIED TO CUSTOMERS SPECIFICATION AND FULL DETAILS SHOULD BE SUBMITTED WITH ENQUIRY FOR LIFT UNITS.
 B) FOR BIGGER SIZES GEAR BOXES REFER GREAVES LIMITED.
 C) 'P' DIMENSIONS ARE OVER SCREW HEADS.